



we engineer more

email: Razvan.c@millerman.ro
+40 771 017 703

Cutting edgeengineering

www.millerman.ro

Who we are

We are an industrial processing company dedicated and professionally focused on the manufacturing of technological products obtained through CNC processing of various metals and alloys.

Miller Manufacturing has integrated, since its founding, both advanced engineering and industrial manufacturing skills, as well as an experienced organizational and operational management team.

Industries



Electronic industry



Medical industry



Automotive industry



Energy industry



Equipment manufacturing



Defense industry



Aeronautical Industry

Vision, mission, values

Vision

Technological and industrial revolutions are, in recent economic history, accompanied by the advancement of innovation and related fields.

Because technological acceleration is driven by innovation, responsibility and skills, our vision is to become a recognizable brand and a reliable partner for all our customers.

Mission

The execution and delivery of components and technology products of the highest quality, at the highest level of accuracy and compliance.

Miller Manufacturing aims to offer premium services and products, right-on-time, for the most important Romanian and international brands.

Values

Our value system is inspired by best practices in global industrial management.

Therefore promptness, accuracy, respect for partners and customers, continuous improvement and orientation towards industrial and business quality, represent the values by which we are guided.

Our equipments

Haas ST20y turning center - 5 axis



Haas ST30y turning center - 4 axis



Haas DS30y turning center - 5 axis



Haas VF -2SS Super-Speed vertical machining center - 4 axis



Upcoming purchases

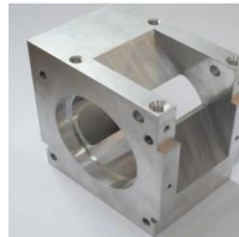
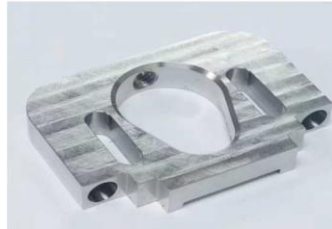
HAAS UMC 750 - 5 axis Mill



Haas UMC 1500 - 5 axis Mill



Our product manufacturing range (CNC milling/lathe)



- ✓ Simple revolution pieces
- ✓ Revolution parts with milling (of greater complexity – 3/4 axes)
- ✓ Prismatic parts (of greater complexity – 3/4 axes)
- ✓ Parts dedicated to 5 axes
- ✓ Plan rectified parts
- ✓ Round ground parts
- ✓ Parts according to specific customer requirements

Strategic partnerships



Operational management
consulting



Operational management
software

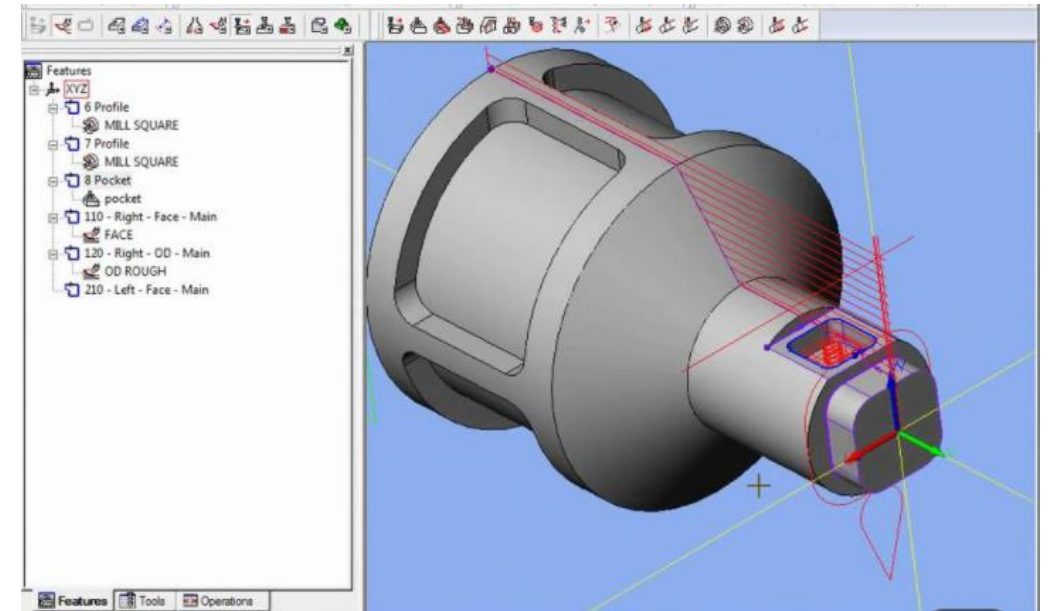
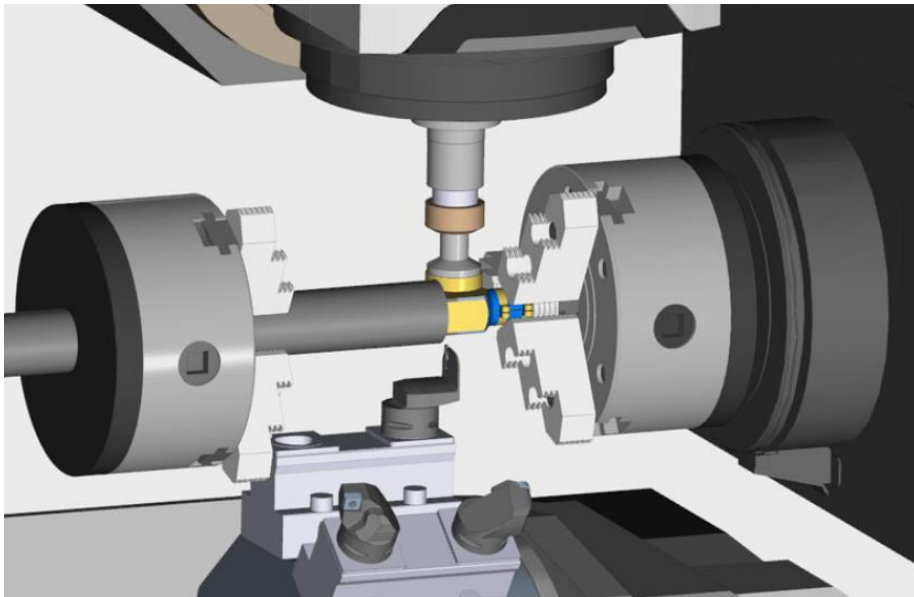


2D/3D documentation,
programs for CNC
processing machines

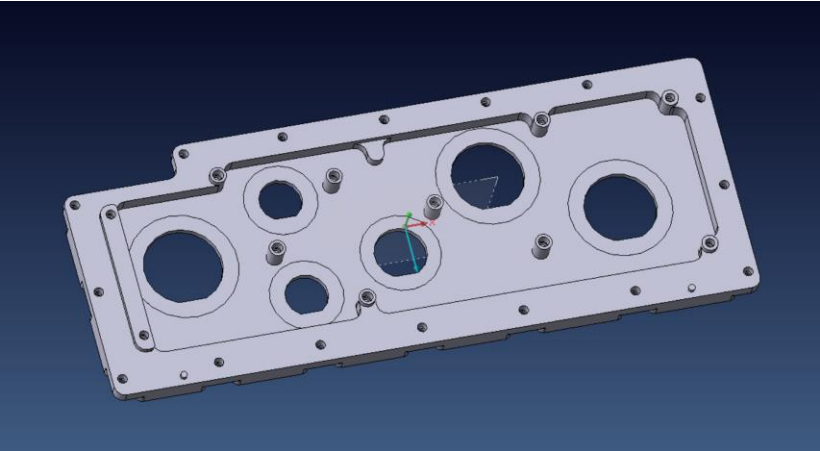


DAMONIS ENGINEERING
SOLUTIONS

CNC PROGRAMMING ON DEMAND



PROJECT ANALYSIS – TECHNICAL & ECONOMIC



CNC OPERATOR TRAININGS



TECHNICAL SPECIALTY CONSULTANCY



Contact & company location

Miller Manufacturing S.R.L.
CUI: RO 34957291
Reg. Com.: J05/1398/2015
BIHOR, ROMANIA
No. 343C Sântion, comuna Borș

email: razvan.c@millerman.ro
www.millerman.ro
+40 771 017 703

